

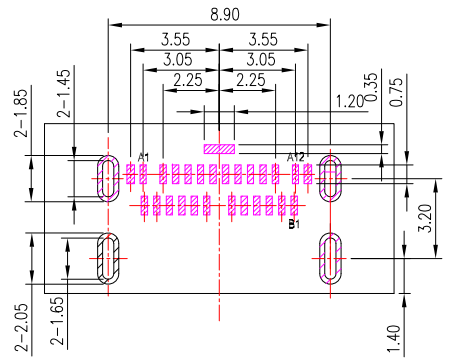
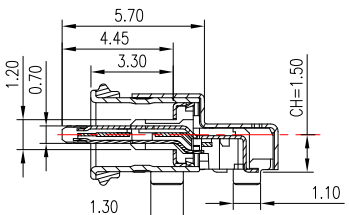
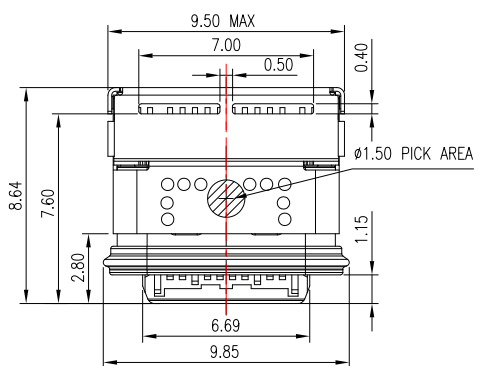
# SBC-WP240S3B-31x-S331

IP68



鍍層厚度:

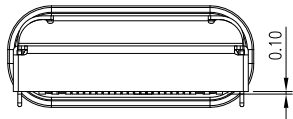
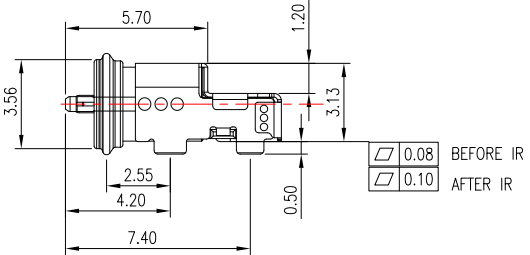
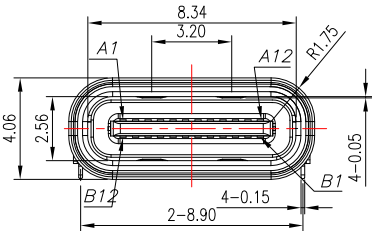
|             |
|-------------|
| Blank : 1u" |
| 2 : 15u"    |
| 3 : 30u"    |



PCB LAYOUT

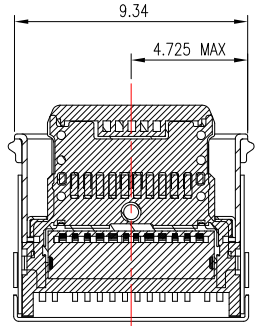
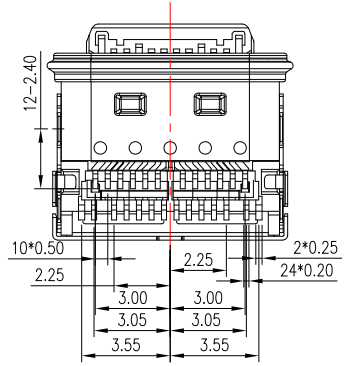
PIN ASSIGNMENTS

| No. | NAME | DESCRIPTION                                         | No. | NAME | DESCRIPTION                                         |
|-----|------|-----------------------------------------------------|-----|------|-----------------------------------------------------|
| A1  | GND  | GROUND RETURN                                       | B12 | GND  | GROUND RETURN                                       |
| A4  | VBUS | BUS POWER                                           | B9  | VBUS | BUS POWER                                           |
| A5  | CC1  | CONFIGURATION CHANNEL                               | B8  | SBU2 | SIDEBAND USE(SBU)                                   |
| A6  | DP1  | POSITIVE HALF OF USB2.0 DIFFERENTIAL PAIR-POSITION1 | B7  | DN2  | NEGATIVE HALF OF USB2.0 DIFFERENTIAL PAIR-POSITION2 |
| A7  | DN1  | NEGATIVE HALF OF USB2.0 DIFFERENTIAL PAIR-POSITION1 | B6  | DP2  | POSITIVE HALF OF USB2.0 DIFFERENTIAL PAIR-POSITION2 |
| A8  | SBU1 | SIDEBAND USE(SBU)                                   | B5  | CC2  | CONFIGURATION CHANNEL                               |
| A9  | VBUS | BUS POWER                                           | B4  | VBUS | BUS POWER                                           |
| A12 | GND  | GROUND RETURN                                       | B1  | GND  | GROUND RETURN                                       |

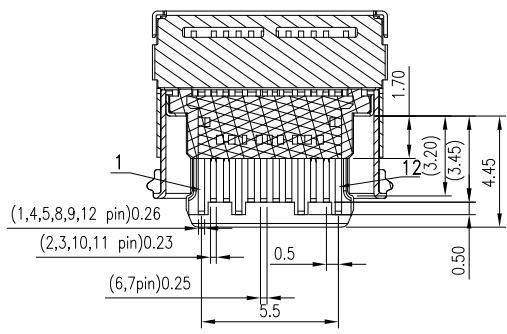


SPECIFICATIONS

- Electrical:**
- Rating: 5.0A
  - Contact Resistance: 40 mΩ Max
  - Insulation Resistance: 1000 MΩ Min
  - Dielectric Withstanding Voltage: 100V AC
- Mechanical:**
- Connector Mate and Unmate Force
    - Mate force: 5~20 N
    - Unmate force: 8~20 N
- Material:**
- Housing: PA46
  - Contact: C18140
  - Shell: SUS
- Finish:**
- Contact: Plated Gold in Mating Area ;  
Gold Plated on Solder Balls ;  
Nickel under plated overall
  - Shell: Nickel under Plated surface layer



SECTION A-A(SC 1:1)



SECTION B-B(SC 1:1)

**CONTACT** 建倚科技股份有限公司  
CONTACT TECHNOLOGY CORP.

TOLERANCE UNLESS OTHERWISE STATED:  
 Up to 5 ±0.2  
 Above 5 ~ 15 ±0.3  
 Above 15 ~ 30 ±0.4  
 Above 30 ~ 50 ±0.5  
 Angle ±0.3°

3RD. ANGEL'S

UNITS MM

|              |          |           |          |                                   |
|--------------|----------|-----------|----------|-----------------------------------|
| DRAWN BY:    | DATE     | MAT'L     | TITLE    | CONNECTOR                         |
| Jack Lu      | 06/05/23 | FINISH    | MODLE    | USB 3.1 TYPE C 防水型 板上式 H3.13 IP68 |
| CHECKED BY:  | DATE     | SCALE     | DWG NO.  | SBC-WP240S3B-31x-S331             |
| Jacky Chen   | 06/05/23 | 1 : 1     | PART NO. | SBC-WP240S3B-31x-S331             |
| APPROVED BY: | DATE     | SHEET NO. | 1 of 2   |                                   |
| Tony Kao     | 06/05/23 |           |          |                                   |

| ITEM NO. | DESCRIPTION | DRAWN | DATE |
|----------|-------------|-------|------|
| A        | B           | C     |      |